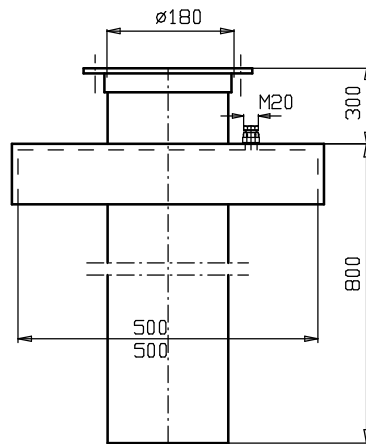
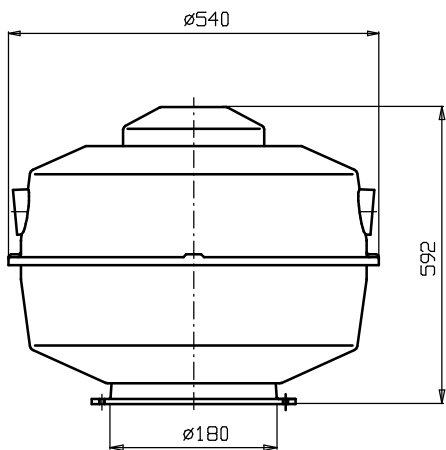
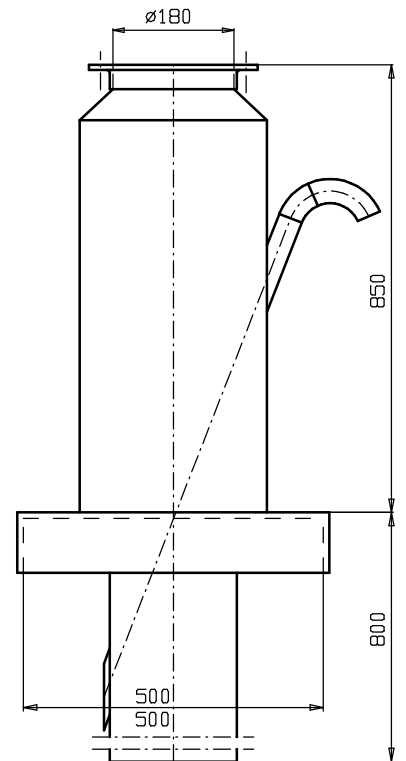


sound pressure level $L_A(\text{dB}) = \text{acoust. lc power level } L_W(\text{from diagram}) \text{ minus } 19 \text{ dB}$



roof socket



roof socket with sound absorber

We reserve the right to change the dimensions