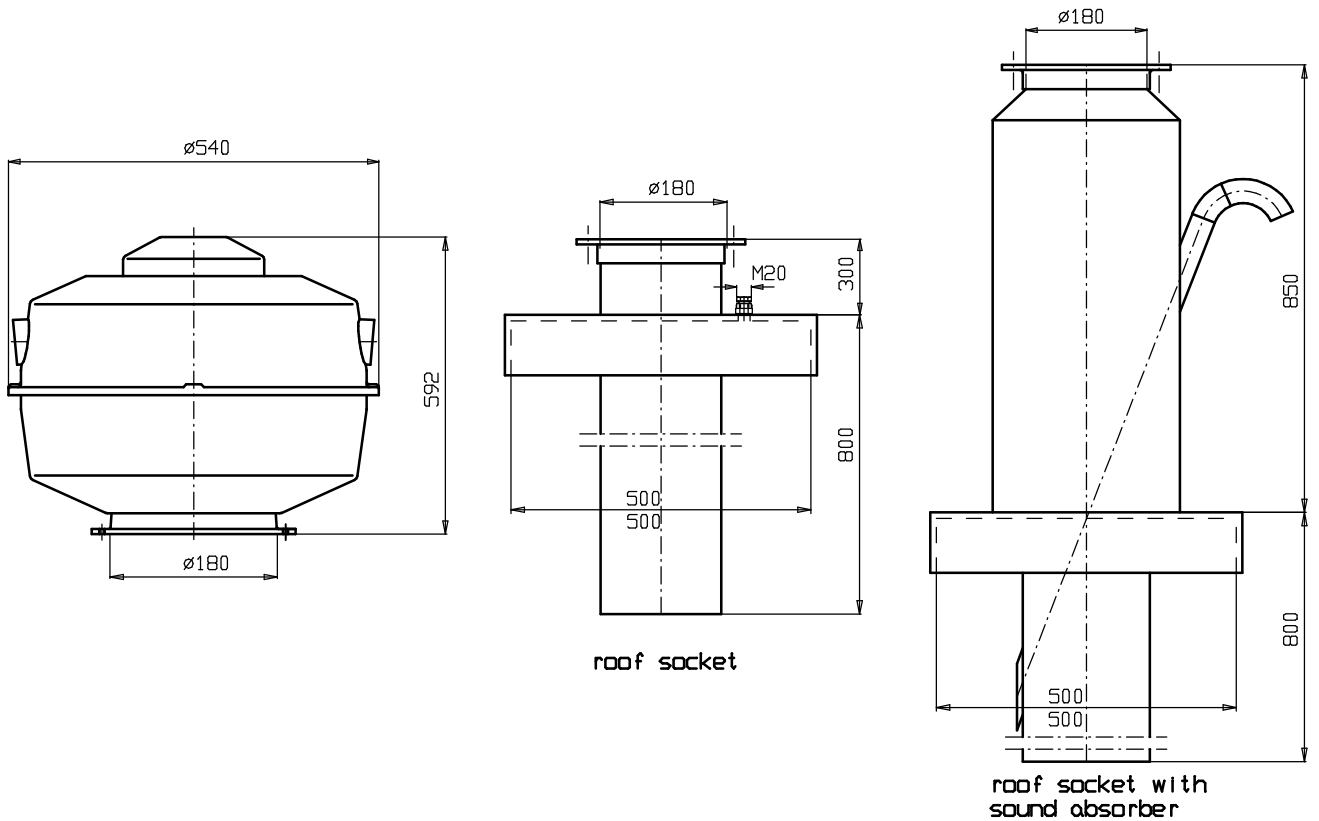


sound pressure level L_A (dB) = acoust ic power level L_W (from diagram) minus 19 dB



We reserve the right to change the dimensions