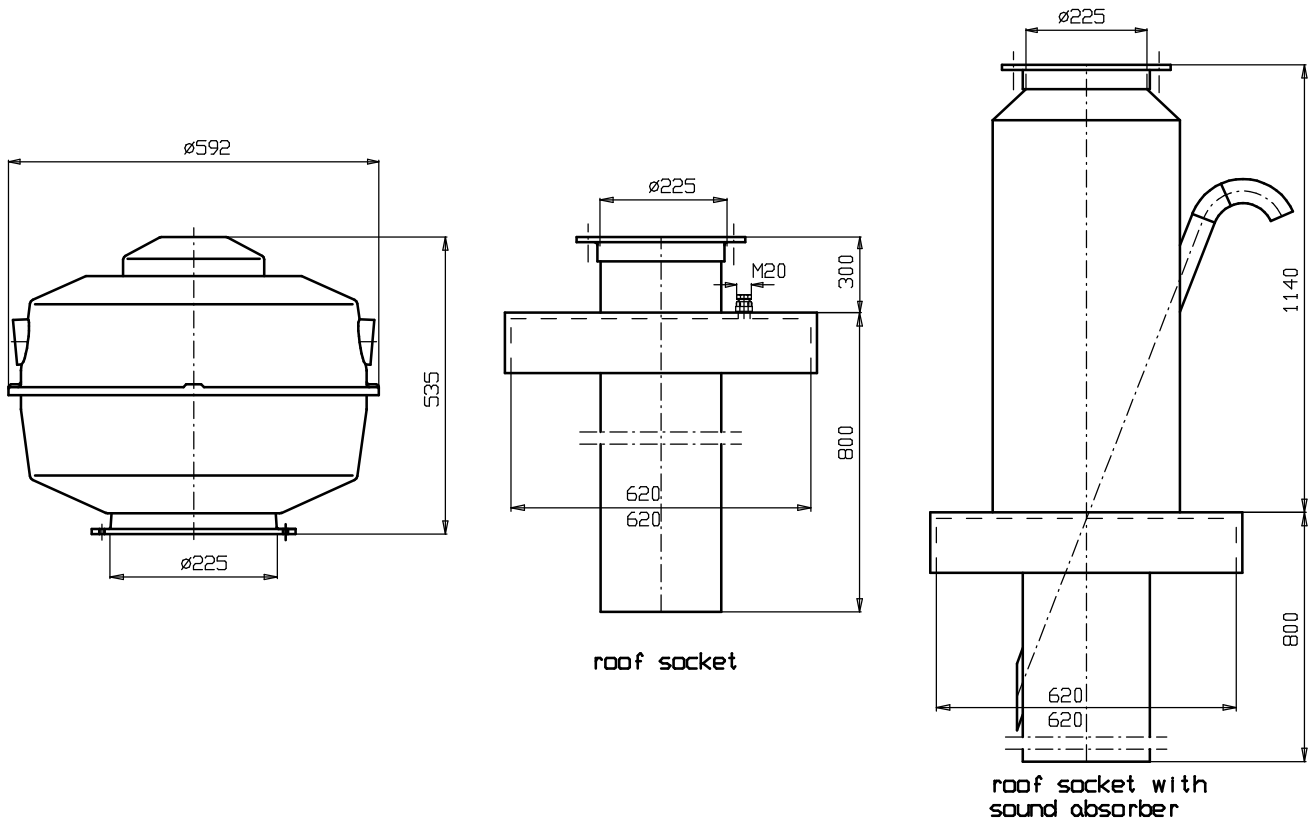


sound pressure level  $L_A$ (dB) = acoust. power level  $L_W$ (from diagram) minus 19 dB



We reserve the right to change the dimensions