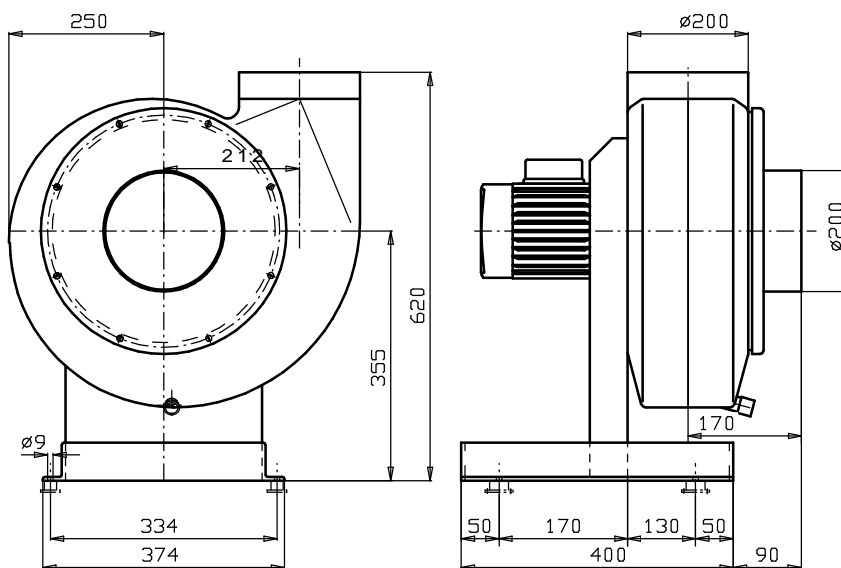
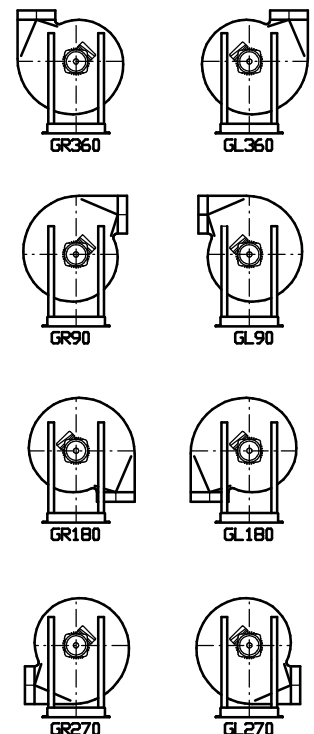


sound pressure level  $L_A$  (dB) = acoust ic power level  $L_W$  (from diagram) minus 19 dB



possible positions



We reserve the right to change the dimensions