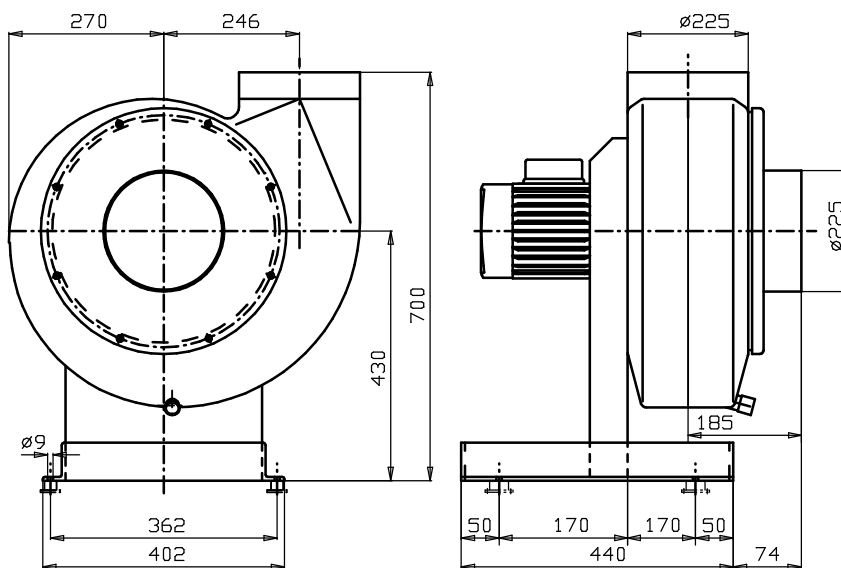
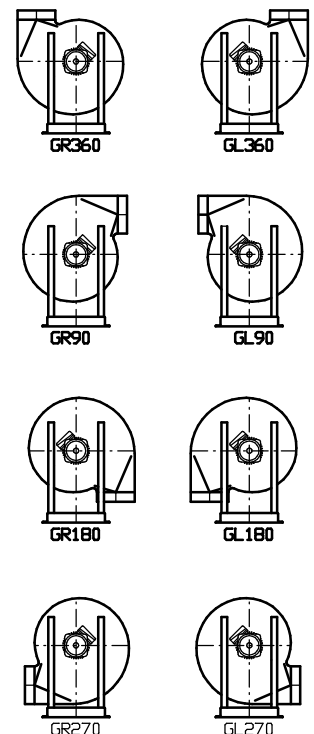


sound pressure level $L_A \text{ (dB)} = \text{acoust lc power level } L_W \text{ (from diagram) minus } 19 \text{ dB}$



possible positions



We reserve the right to change the dimensions